

## AD2360C Series

360Watts, Dual Output



Dimensions: 121(D)x100(W)x110(H) mm

### Features

- High power density
- Built-in cooling fan
- RoHS compliance
- 3 year warranty
- Great reliability
- DIN Rail / Wall bracket mounting solution
- Optional alarm signal / Redundant function
- Over voltage protection
- Overload protection
- Short circuit protection
- Active PFC to meet EN61000-3-2

### Safety Standards



EN 60950 (Marking)



UL 508 (Certificate)  
CSA 22.2 (Certificate)

\*Only AD23602C with UL

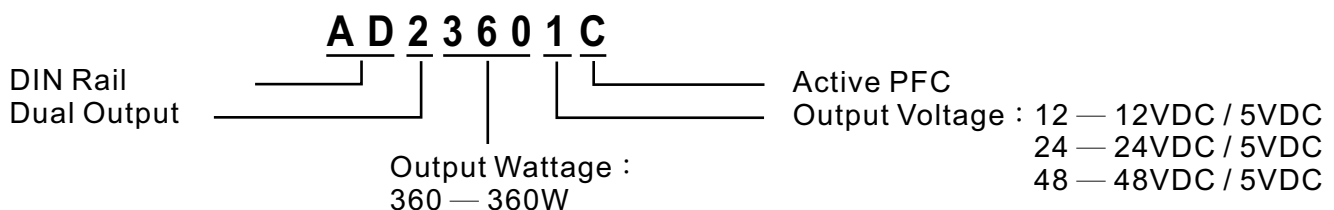
### EMC Standards

EN55011	Class B
EN55022	Class B
EN61000-4-2	Level 3
EN61000-4-3	Level 3
EN61000-4-4	Level 3
EN61000-4-5	Level 3
EN61000-4-6	Level 3
EN61000-4-8	Level 3
EN61000-4-11	Level 3

### Model List

Model	O/P Voltage Adjustment	Min.	Loading Rated	Max.	Ripple Noise	Efficiency	Over Voltage Protection
AD23601C	+12VDC±10% +5VDC -----	0A	28A 3A	28A 3A	100mVp-p 50mVp-p	82%	14~16VDC -----
AD23602C	+24VDC±10% +5VDC -----	0A	14A 3A	14A 3A	150mVp-p 50mVp-p	84%	27~30VDC -----
AD23603C	+48VDC±10% +5VDC -----	0A	7A 3A	7A 3A	240mVp-p 50mVp-p	84%	52~56VDC -----

### Model Encoding



Website: <http://www.acro-powers.com/>  
E-mail: [service@acro-powers.com.tw](mailto:service@acro-powers.com.tw)  
Tel: +886-2-22675015 Fax: +886-2-22674939

**ACRO**  
ENGINEERING INC.

### Specification

#### General

Switching Frequency	132kHz	
Isolation Voltage	Input-Output	3000VAC /4242VDC
	Input-FG	1500VAC/2121VDC
	Output-FG	500VAC/ 710VDC
Isolation Resistance	100MΩ when Input-Output @500VDC	
Operating Temperature	-40°C~50°C ambient	
Derating	2.5% per degree from 50°C to 70°C	
Storage Temperature	-40°C to +85°C	
Relative Humidity	5%~95% RH, Non-condensing.	
Temperature Coefficient	±0.04% of output voltage per °C	
MTBF	60,000hrs Min. Per MIL-HDBK-217F, 25°C GB	
Attitude During Operation	2000m	
Installation position	Vertical	
Vibration	Random Vibration, 10~500Hz. 3 axis	

#### Input

Input Voltage	100~240VAC/120~370VDC
Input Frequency	47~63Hz
Inrush Current (cold start)	22A/115VAC 44A/230VAC
Rated Input Current	6A Max. @Vi=100~240VAC
Leakage Current	Input-output 0.25mA, Inout-FG 3.5mA, Vi=250VAC

#### Output

Output Voltage accuracy	±1%
Minimum Load	0%
Line Regulation	±1%/±1%, measuring from low line to high line rated load
Load Regulation	±3%/±3%, measuring from 20% to 100% of rated load 230VAC input
Voltage Trim Range	±10%
Rated Continuous Loading	See model list
Hold Up Time	40mS Min., Full load@230VAC.
Turn On Time	1200mS
Rise Time	15mS
Fall Time	30mS

Website: <http://www.acro-powers.com/>  
 E-mail: [service@acro-powers.com.tw](mailto:service@acro-powers.com.tw)  
 Tel: +886-2-22675015 Fax: +886-2-22674939

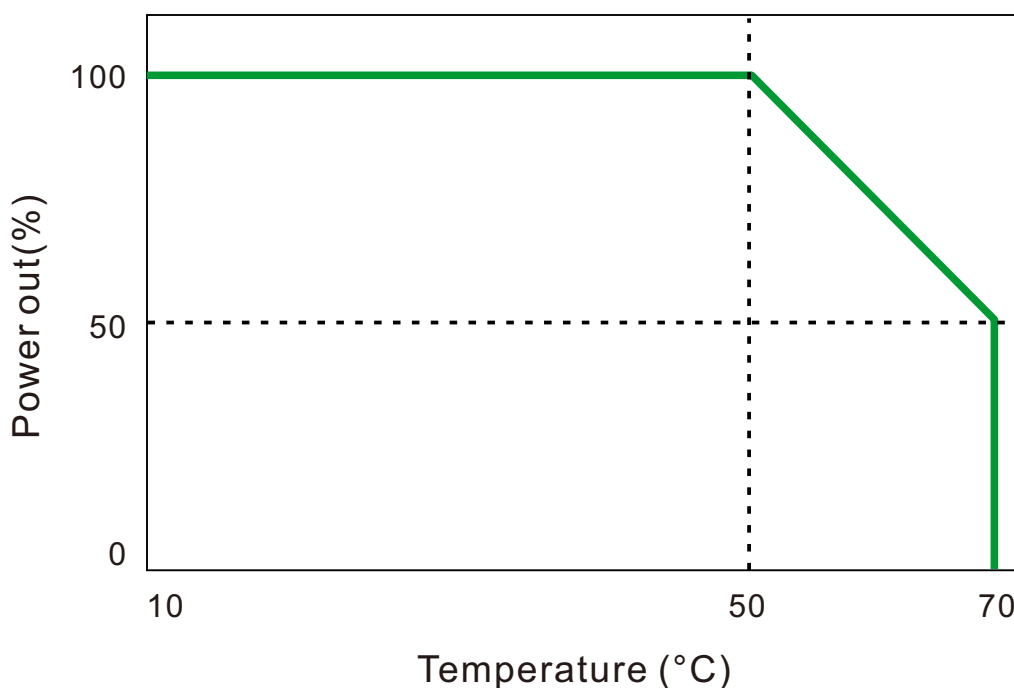
**ACRO**  
ENGINEERING INC.

### Specification

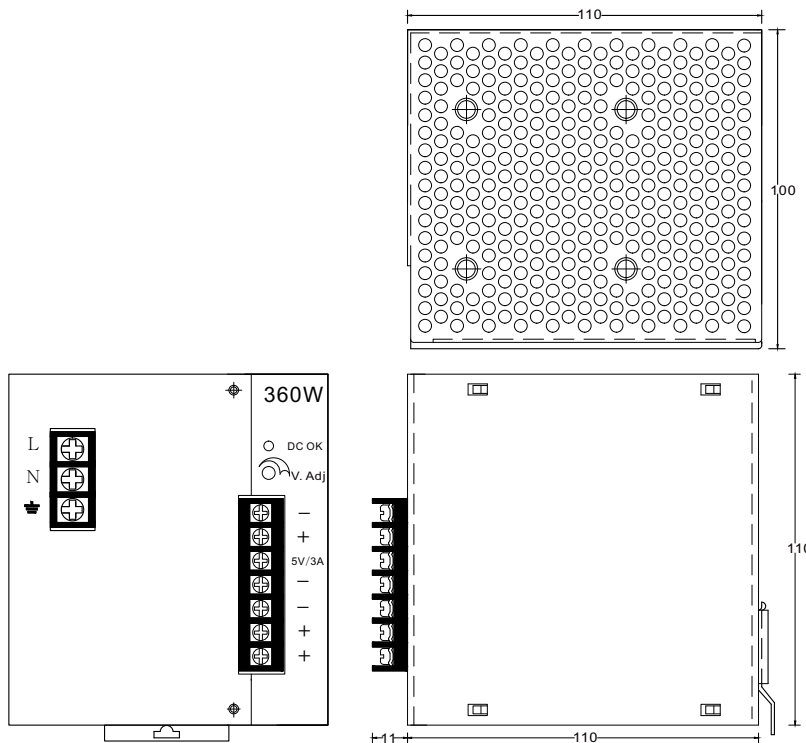
Output		
Transient Response	Recovery Time	2mS, Load change 50% to 100%
	Voltage Deviation	5%, Load change 50% to 100%
Efficiency		See model list, measuring at rated load and 230VAC input
Ripple and Noise		See model list, measuring by using a 0.1 $\mu$ F/630V metalize capacitor and a 47 $\mu$ F electrolytic capacitor parallel on the test point, at rated load and 230VAC input.

Protection	
Input Fuse	8A/250V
Internal Surge Load Protection	Varistor, IEC6100-4-5
Degree of Protection	IP20
Short Circuit Protection	Autorecovery
Over Voltage Protection	Autorecovery
Rated Over Load Protection	130~150%
Overload protection	Power limited

### Derating Curve



### Mechanical Details

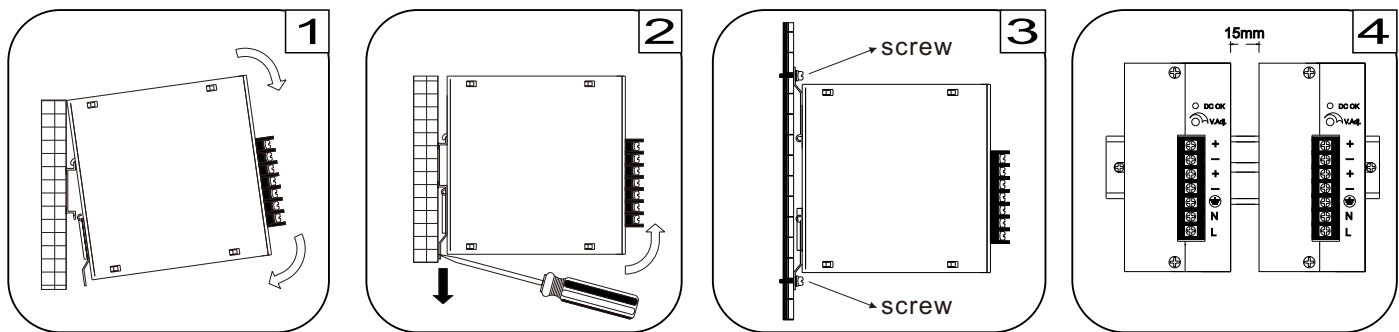


Case No.	AD240	
Dimensions	121(D)x100(W)x110(H)mm	
Case Material	Metal	
Weight	AD23601C	1281 g
	AD23602C	1263 g
	AD23603C	1222 g

### Terminal Allocation

Designation	Description
DC OK	Green LED Indicator
V Adj.	O/P Voltage adjustment
-	Output Negative
+	Output Positive
5V/3A	Output Voltage = 5V
⏏	Earth
N	Input Neutral
L	Input Line

### Installation instruction



Place the top of the AD2360C rail mount over the top of the DIN rail. Tilt the bottom of the AD2360C toward the DIN rail until it snaps into place.

To remove the AD2360C from the DIN rail, use a flathead screwdriver to pull down the bottom of the rail mount and tilt it away from the DIN rail.

To install AD2360C on wall/plate, loosening screws on mounting bracket and pull both brackets out first. Then re-screwing the two brackets with screws onto wall/plate.

The left housing of AD2360C is designed as a heat sink, please keeping a minimum distance of 15mm from each other.